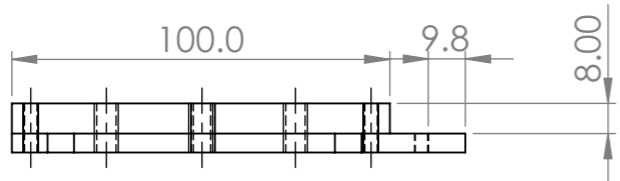
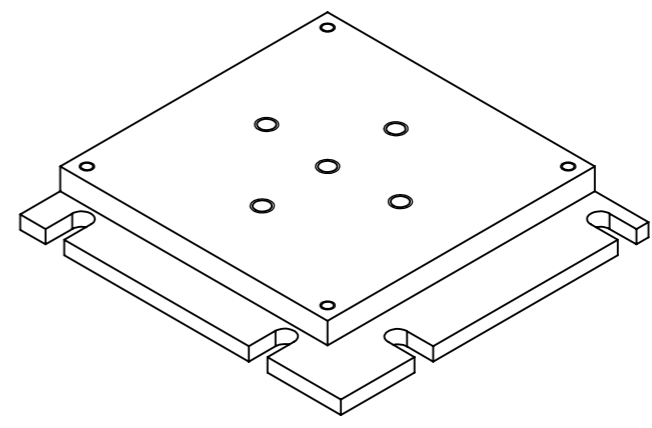


SECTION C-C



UNLESS OTHERWISE SPECIFIED: DIMENSIONS ARE IN MILLIMETERS SURFACE FINISH: TOLERANCES: LINEAR: ANGULAR:			FINISH:		DEBURR AND BREAK SHARP EDGES		DO NOT SCALE DRAWING		REVISION		
DRAWN			NAME		SIGNATURE		DATE		TITLE:		
CHK'D											
APPV'D											
MFG											
Q.A											
							MATERIAL: ALUMINUM 6061		DWG NO. roberto part 2-June 29		
							WEIGHT:		SCALE: 1:2		SHEET 1 OF 1