

8 7 6 5 4 3 2 1

F F

E E

D D

C C

B B

A A

8

7

6

5

4

3

2

1

8

7

6

5

4

3

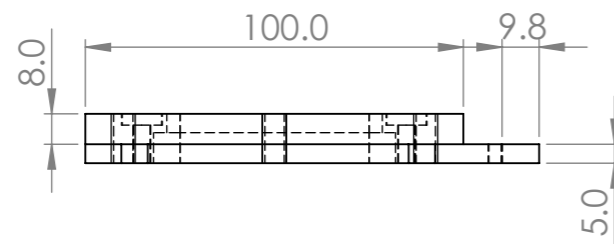
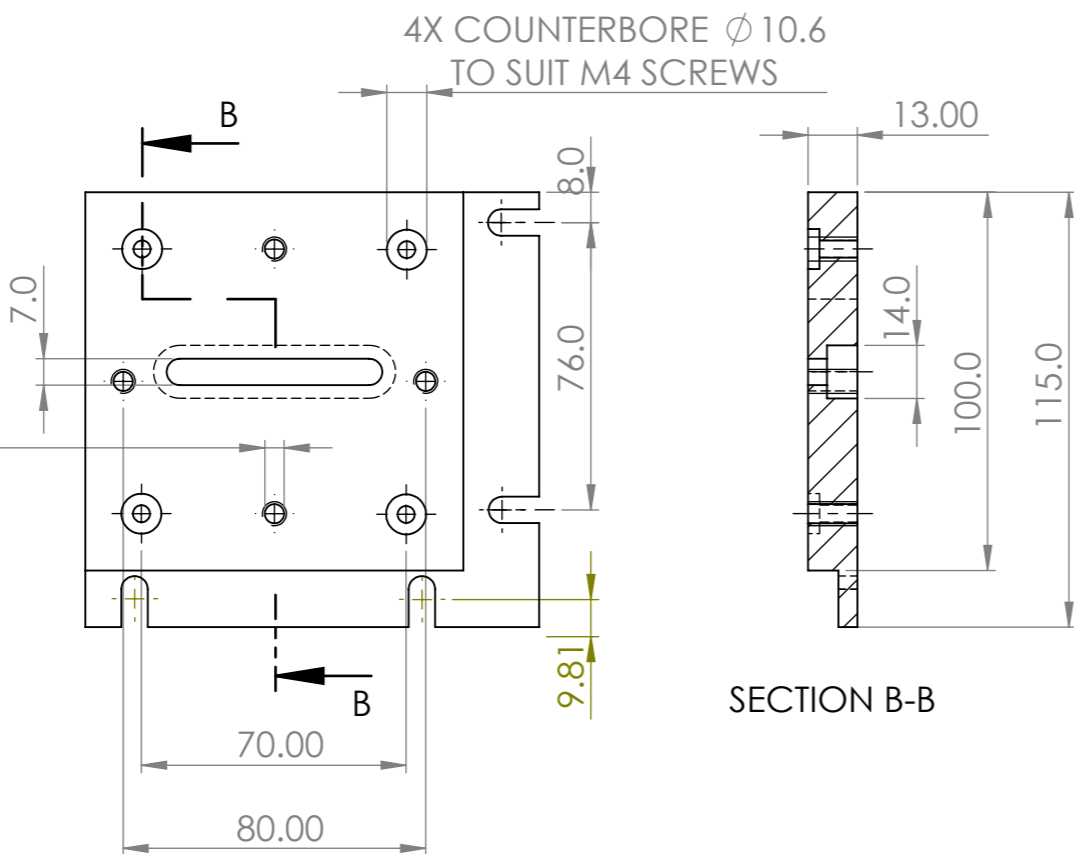
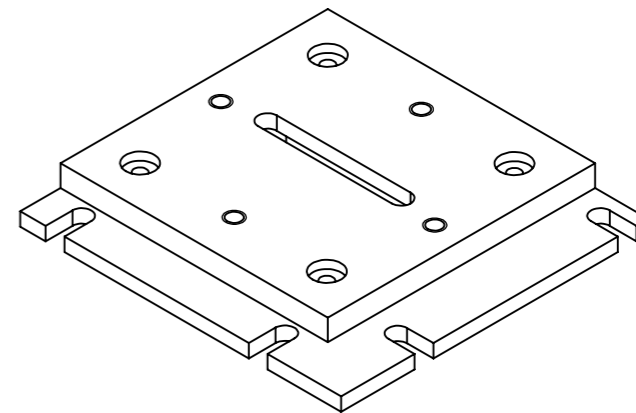
2

1

4X COUNTERBORE  $\phi$  10.6  
TO SUIT M4 SCREWS

4x 1/4"-20  
THREADS  $\phi$  5.11

SECTION B-B



|  |  |         |           |                                    |           |                      |                                   |          |  |
|--|--|---------|-----------|------------------------------------|-----------|----------------------|-----------------------------------|----------|--|
| UNLESS OTHERWISE SPECIFIED:<br>DIMENSIONS ARE IN MILLIMETERS |  | FINISH: |           | DEBURR AND<br>BREAK SHARP<br>EDGES |           | DO NOT SCALE DRAWING |                                   | REVISION |  |
| SURFACE FINISH:  |  |         |           |                                    |           |                      |                                   |          |  |
| TOLERANCES:  |  |         |           |                                    |           |                      |                                   |          |  |
| LINEAR:  |  |         |           |                                    |           |                      |                                   |          |  |
| ANGULAR:   |  |         |           |                                    |           |                      |                                   |          |  |
| DRAWN  |  | NAME    | SIGNATURE | DATE                               |           |                      | TITLE:                            |          |  |
| CHK'D  |  |         |           |                                    |           |                      |                                   |          |  |
| APPV'D   |  |         |           |                                    |           |                      |                                   |          |  |
| MFG  |  |         |           |                                    |           |                      |                                   |          |  |
| Q.A  |  |         |           |                                    | MATERIAL: | DWG NO.              | roberto part-June 29 <sup>3</sup> |          |  |
|  |  |         |           |                                    | ALUMINUM  |                      |                                   |          |  |
|  |  |         |           |                                    | WEIGHT:   | SCALE:1:2            | SHEET 1 OF 1                      |          |  |